

# Andromeda™ Linear Motion

HIGH INTENSITY CARPARK / STAIRWELL LUMINAIRE



## PRODUCT INFORMATION

WEIGHT RANGE	4.3kg to 6kg
PRODUCT CODE	AndromedaXPB-LinearMotion
LIGHT SOURCE	Nichia High Power LED
HOUSING	6063 Aluminium (Marine Grade)
BRACKET MATERIAL	ST12, Custom (304SS, 316SS)
FRAME COLOUR	Silver, White, Black, Custom (Advise RAL)
EMERGENCY CONTROL	0-10V, PWM
MECHANICAL IMPACT RESISTANCE	IK08 (Bracket & Frame Only)
IP RATING	IP66
OPERATING TEMP	-50°C to 55°C

## TECHNICAL SPECIFICATIONS

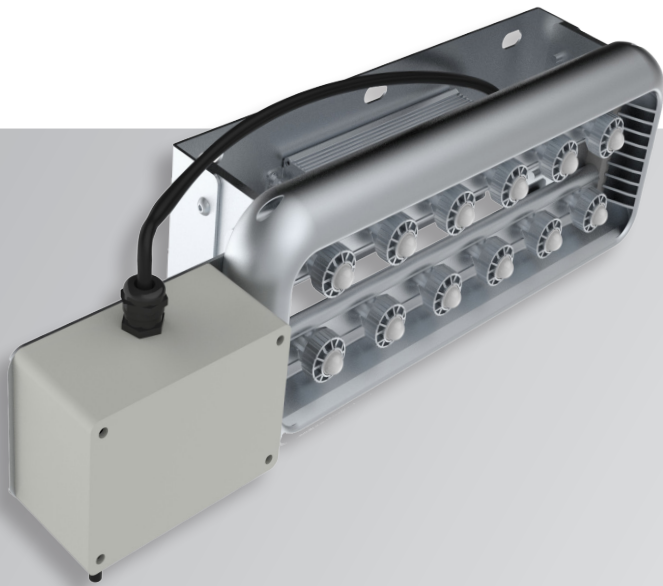
INPUT VOLTAGE	90-305VAC, 50/60Hz (Standard) Options - 24VDC, 127-370VDC or 313-381VAC
DIMMABLE	Yes
MOTION SENSOR	Microwave
OPERATING INTERVAL	15 secs to 10 mins
LIFESPAN	60,000 hours L70 B10
POWER*	21W - 140W
POWER FACTOR	0.97
BEAM ANGLE	Customisable - Refer to lens options page
LUMINOUS EFFICACY	IESNA Type I, II, III distribution available XPB - 118 lm/W XPS - 110 lm/W
CCT	5,000-5,500K Cool White >65 (CRI) Standard 4,000-4,500K Natural White >75 (CRI) 2,700-3,000K Warm White >85 (CRI)

\* REFER TO LINEAR PAGE FOR POWER OPTIONS AND OUTPUT FIGURES

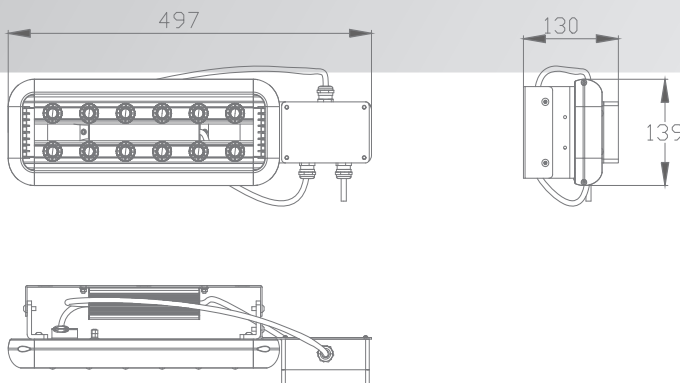
## MICROWAVE MOTION SENSOR

RATED LOAD	800W (inductive), 1,200W (resistive)
HF SYSTEM	5.8GHz +- 75Mhz, ISM wave band
TRANSMITTING BAND	<0.5mW
POWER CONSUMPTION	<0.5W (Standby), <1W (Operation)
DETECTION ZONE	Max(D x H): 16m x 10m
DETECTION SENSITIVITY	10% / 25% / 50% / 75% / 100%
HOLD TIME	10s / 30s / 90s / 3min / 20min / 30min
DAYLIGHT SENSOR	5lux / 10lux / 30lux / 50lux / Disable
STANDBY PERIOD	5s / 5min / 10min / 30min / 1h / Disable
STANDBY DIMMING LEVEL	10% / 20% / 30% / 40% / 50%
MOUNTING HEIGHT	10m Max
MOTION DETECTION	0-5m~3m/s
DETECTION ANGLE	150° (Wall Installation) 360° (Ceiling Installation)
OPERATING TEMPERATURE	-50°C to 55°C

## TYPICAL APPLICATIONS



## SCHEMATIC OF 21W LINEAR WITH MOTION SENSOR



POWER	OUTPUT* (LUMENS)	INPUT CURRENT (mA)	LENGTH (MM)	WIDTH (MM)	DEPTH (MM)	WEIGHT (KG)
21W	2,478	400mA	497	139	130	4.3kg
26W	3,068	400mA	557	139	130	4.4kg
32W	3,776	400mA	557	139	130	4.4kg
39W	4,602	400mA	647	139	130	4.5kg
41W	4,838	400mA	647	139	130	4.5kg
49W	5,782	400mA	767	139	130	4.6kg
52W	6,136	400mA	797	139	130	4.7kg
60W	7,080	400mA	886	139	130	4.8kg
62W	7,316	400mA	917	139	130	4.9kg
72W	8,496	400mA	1,037	139	130	5kg
80W	9,440	400mA	1,127	139	130	5.1kg
86W	10,148	400mA	1,187	139	130	5.3kg
91W	10,010	600mA	1,247	139	130	5.5kg
112W	12,320	600mA	1,037	139	130	5.7kg
124W	13,640	600mA	1,127	139	130	5.8kg
132W	14,520	600mA	1,187	139	130	5.9kg
140W	15,400	600mA	1,247	139	130	6kg