

Andromeda™ C LinearTri Motion

CERAMIC LED CARPARK / STAIRWELL LUMINAIRE



PRODUCT INFORMATION

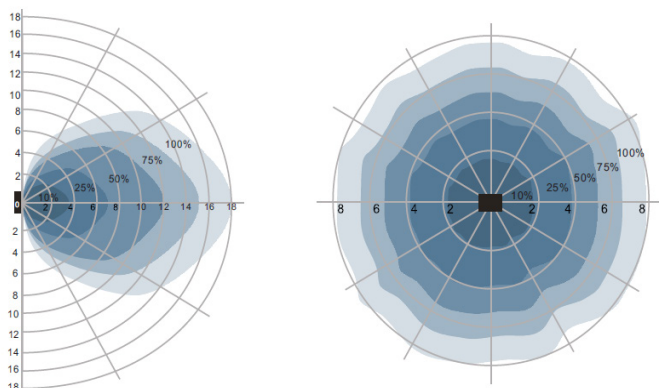
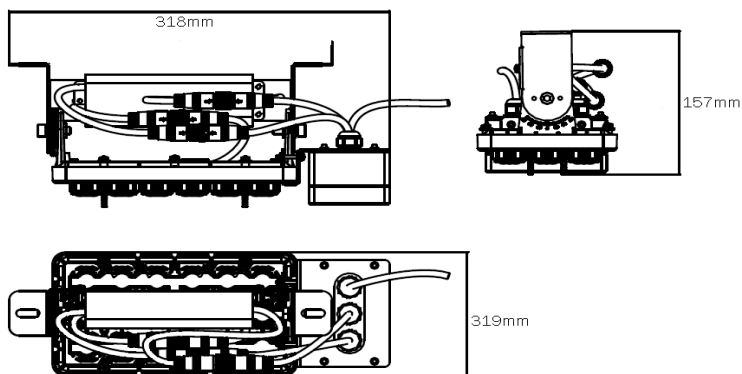
LIGHT SOURCE	Nichia High Power LED
HOUSING	ADC12 Aluminium (Marine Grade) Ceramic Diode Seat with Polycarbonate Pixel Rails SGCC
BRACKET MATERIAL	
BRACKET TYPE	Wall Mount or Surface Mount
FRAME COLOUR	Silver RAL 9006
MECHANICAL IMPACT RESISTANCE	IK10
IP RATING	IP66
OPERATING TEMP	-40°C to 55°C

TECHNICAL SPECIFICATIONS

INPUT VOLTAGE	90-305VAC, 50/60Hz (Standard)
DIMMABLE	Yes
MOTION SENSOR	Microwave
OPERATING INTERVAL	15 secs to 10 mins
LIFESPAN	125,000 hours to L70
POWER	30W & 40W
POWER FACTOR	0.95
BEAM ANGLE	60°, 90°, 120°, 150°
LUMINOUS EFFICACY	130 lm/W
CCT	5,000 Cool White
CRI	>70 Standard

Additional Options for powers and ~4000K Natural White & ~3000K Warm White please enquire directly to Emyprean for more information on MOQ's.

SCHEMATIC OF ANDROMEDA C LINEAR MOTION SENSOR 40W



FEATURES

- INCREASED SAVINGS WITH SENSOR TECHNOLOGY
- MAINTAINED SECURITY LEVELS (PARTICULARLY FOR CAMERAS)
- SUITABLE FOR GENERAL PARKING, AISLES, RAMPS, BAYS, LIFTS, FOYERS & STAIRWELLS
- CUSTOMISABLE SENSOR SETTINGS TO SUIT APPLICATION
- AVAILABLE FOR ANY POWER OR CCT ANDROMEDA CERAMIC LINEAR LUMINAIRE

MICROWAVE MOTION SENSOR

RATED LOAD	800W (inductive), 1,200W (resistive)
HF SYSTEM	5.8GHz +- 75Mhz, ISM wave band
TRANSMITTING BAND	<0.5mW
POWER CONSUMPTION	<0.5W (Standby), <1W (Operation)
DETECTION ZONE	Max (D x H): 16m x 15m 2.7m = 8m Diameter Radius (brock?)
DETECTION SENSITIVITY	10% / 50% / 75% / 100%
HOLD TIME	10s / 30s / 90s / 3min / 20min / 30min
DAYLIGHT SENSOR	2lux / 5lux / 10lux / 25lux / 50lux / Disable
STANDBY PERIOD	0s / 5s / 5min / 10min / 30min / 1h / + ∞
STANDBY DIMMING LEVEL	10% / 20% / 30% / 50%
MOUNTING HEIGHT	15m Max
MOTION DETECTION	0.5m~3m/s
DETECTION ANGLE	150° (Wall Installation) 360° (Ceiling Installation)
OPERATING TEMPERATURE	-50°C to 55°C