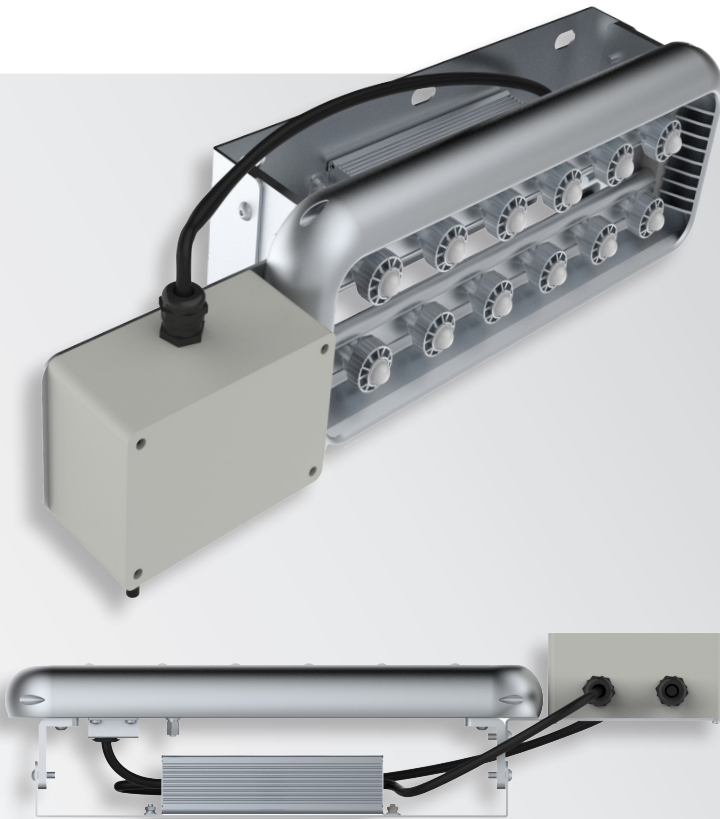


Andromeda™ Linear Motion

HIGH INTENSITY CARPARK / STAIRWELL LUMINAIRE



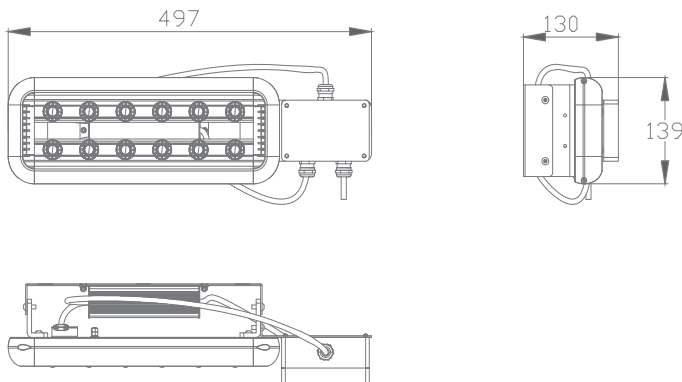
PRODUCT INFORMATION

WEIGHT RANGE	4.3kg
LIGHT SOURCE	Nichia High Power LED
LENS	81 - Customisable IESNA Lens available (see Lens page)
DIMENSIONS	497.7mm L x 139mm W x 130mm H
HOUSING	6063 Aluminium (Marine Grade)
BRACKET MATERIAL	ST12
FRAME COLOUR	Silver, White, Black, Custom
EMERGENCY CONTROL	0-10V / PWM
MECHANICAL IMPACT RESISTANCE	IK08 (Bracket & Frame Only)
IP RATING	IP66

TECHNICAL SPECIFICATIONS

INPUT VOLTAGE	85-264VAC, 50/60Hz or 24VDC	
DIMMABLE	Yes	
MOTION SENSOR	Microwave	
OPERATING INTERVAL	15 secs to 10 mins	
LIFESPAN	50,000 hours to L70	
POWER	100%	25% (Standby)
LUMENS	XPS 3,200lm	600lm
BEAM ANGLE	150° (for Lens 18)	
LUMINOUS EFFICACY	XPS - 100 lm/W (600mA)	
CCT	5,000-5,500K Cool White >65 (CRI)	

SCHEMATIC OF 32W LINEAR WITH MOTION SENSOR



MICROWAVE MOTION SENSOR

RATED LOAD	800W (inductive), 1,200W (resistive)
HF SYSTEM	5.8GHz +- 75Mhz, ISM wave band
TRANSMITTING BAND	<0.5mW
POWER CONSUMPTION	<0.5W (Standby), <1W (Operation)
DETECTION ZONE	Max(D x H): 16m x 10m
DETECTION SENSITIVITY	10% / 25% / 50% / 75% / 100%
HOLD TIME	10s / 30s / 90s / 3min / 20min / 30min
DAYLIGHT SENSOR	5lux / 10lux / 30lux / 50lux / Disable
STANDBY PERIOD	5s / 5min / 10min / 30min / 1h / Disable
STANDBY DIMMING LEVEL	10% / 20% / 30% / 40% / 50%
MOUNTING HEIGHT	10m Max
MOTION DETECTION	0-5m~3m/s
DETECTION ANGLE	150° (Wall Installation) 360° (Ceiling Installation)
OPERATING TEMPERATURE	-50°C to 55°C

TYPICAL APPLICATIONS

