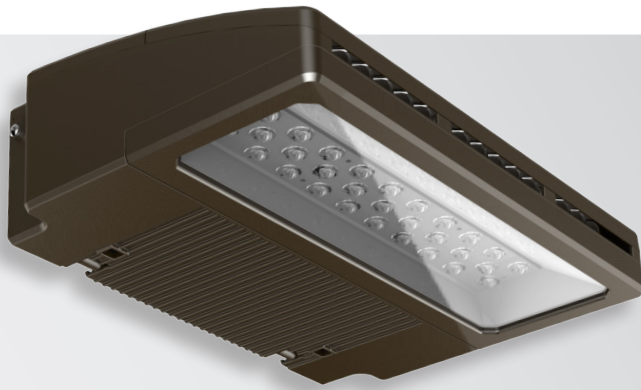


Andromeda™ Wall Pack

HIGH INTENSITY WALL MOUNT LUMINAIRE



PRODUCT INFORMATION

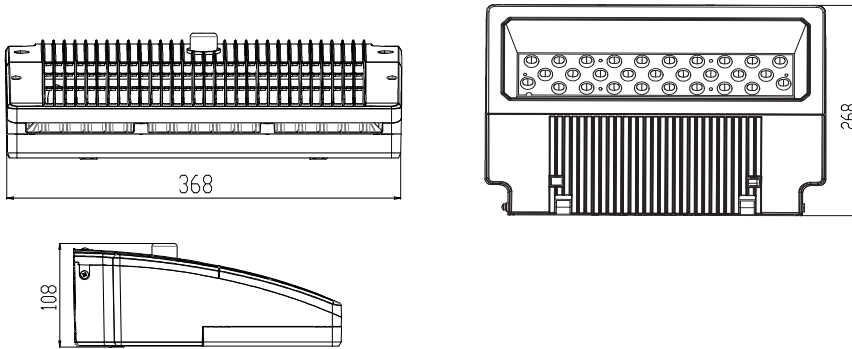
WEIGHT	5.9kg-6.3kg
PRODUCT CODE	AndromedaXPS-WallIP
DIMENSIONS	370mmL x 268mmW x 112mmD
INGRESS PROTECTION	IP66
WEIGHT	5.9kg
LIGHT SOURCE	Nichia High Power LED
HOUSING	6063 Aluminium (Marine Grade)
HOUSING COLOUR	White, Silver, Bronze (as seen in image on left)
OPERATING TEMPERATURE	-50°C to +55°C

TECHNICAL SPECIFICATIONS

INPUT VOLTAGE	90-305VAC, 50/60Hz (Standard) Options - 24VDC, 127-370VDC or 313-381VAC
LIFESPAN	60,000 hours L70 B10
POWER	20W, 30W, 40W, 50W, 60W
BEAM ANGLE	WB
LUMINOUS EFFICACY	XPS - 100 lm/W
POWER FACTOR	0.97
CCT	5,000-5,500K Cool White* >65 (CRI) Standard 4,000-4,500K Natural White >75 (CRI) 2,700-3,000K Warm White >85 (CRI)

* FIGURES REPRESENTED IN LUMEN OUTPUT TABLE BELOW AT 5,000K

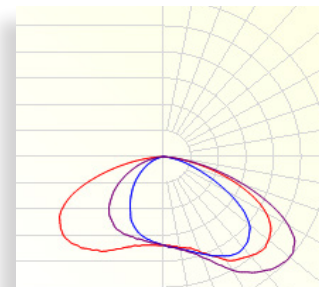
SCHEMATIC OF WALL PACK



TYPICAL APPLICATIONS



BEAM ANGLE WB



PRODUCT CODE	POWER	OUTPUT* (LUMENS)	INPUT CURRENT (mA)	LENGTH (MM)	WIDTH (MM)	DEPTH (MM)	WEIGHT (KG)
AndromedaXPS-WallIP-20	20W	2,000	600mA	368	268	108	5.9kg
AndromedaXPS-WallIP-30	30W	3,000	600mA	368	268	108	6kg
AndromedaXPS-WallIP-40	40W	4,000	600mA	368	268	108	6.1kg
AndromedaXPS-WallIP-50	50W	5,000	600mA	368	268	108	6.2kg
AndromedaXPS-WallIP-60	60W	6,000	600mA	368	268	108	6.3kg