

# CoronaBL™ Cyanosis

SQUARE MEDICAL BACKLIT PANEL LIGHTS

2835 SMD LED 220-240VAC 110° IP20 RATING 90 CRI 50,000 HRS L70 INDOOR



### PRODUCT INFORMATION

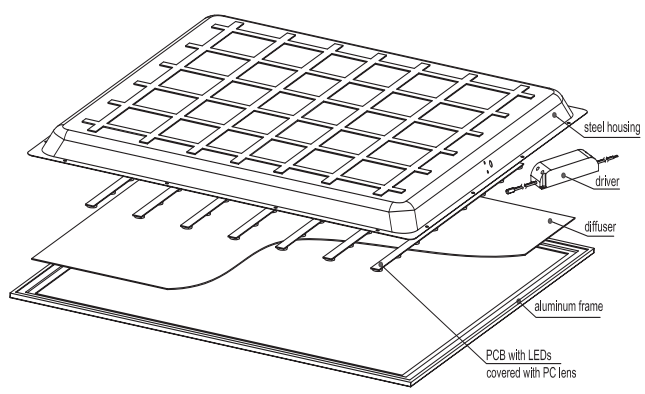
<b>MEASUREMENTS</b>	LENGTH	WIDTH	DEPTH
	1,195mm	295mm	30mm
<b>LIGHT SOURCE</b>	2835 SMD		
<b>LENS</b>	Frosted PC or Prismatic (Low Glare)		
<b>HOUSING</b>	Aluminum alloy frame with steel backboard		
<b>MOUNTING</b>	Default - Mount in T-Bar ceiling grid Recessed with Plaster Frame Kit or Box Frame.		
<b>TRIM</b>	White		
<b>OPERATING TEMPERATURE</b>	-20°C to +45°C		

### TECHNICAL SPECIFICATIONS

<b>INPUT VOLTAGE</b>	220-240VAC
<b>DIMMABLE</b>	0-10V, DALI or Tridonic
<b>LIFESPAN</b>	50,000 hours (to L70)
<b>POWER</b>	25W, 30W, 40W
<b>UGR</b>	22 or >19 (Prismatic Lens)
<b>BEAM ANGLE</b>	110°
<b>CRI</b>	90
<b>CCT</b>	~3,970K Natural White
<b>COI</b>	1.0

\* CYANOSIS OBSERVATION INDEX (NATA LABORATORY CERTIFIED TO AS/NZS 1680.2.5:1997)

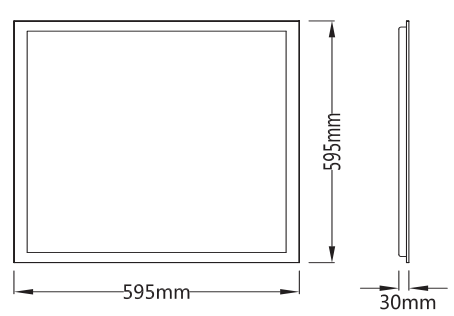
### SCHEMATIC OF CORONABL-600S-CY



### OUTPUT Natural White

25 W	3,625lm
30 W	3,750lm
40 W	4,000lm

### DIMENSIONS OF CORONABL-600SS-CY



### PRODUCT CODE BUILDER

E.G. CoronaBL-600S-CY-W-NW plus Corona-DriverFFT-30W-ND

PRODUCT	LENGTH	LENS	CYANOSIS	TRIM	CCT	POWER (Designated by LED Driver)
CoronaBL	600S	'Blank' (Standard) 'P' (Prismatic)	CY	- W (White)	NW (Natural White)	25W 30W 40W

### DRIVER & POWER OPTIONS

- DriverFF Tridonic (NonDim) 30W, 40W
- Driver-Dim (0-10V) 30W, 40W
- Driver-DALI 25W, 40W