

PolarisTM

HIGH BAY LED SERIES



POLARIS LED RANGE

OUR POLARIS™ SERIES consists of over 9,000 variations of luminaires, each employing Empyrean Lighting's patented pixel rail technology. This innovation ensures unparalleled thermal management which guarantees performance and lifespan.

The incredible versatility in this series is possible through multiple options in output, articulation, frame material, colour, CCT and even specific wavelengths. There is literally an Andromeda™ for every application.

BENEFITS OF OUR RANGE

- USES 50%-75% LESS ELECTRICITY THAN HIGH INTENSITY DISCHARGE LUMINAIRES
- LIFESPAN OF 50,000 HRS+ (TO L70)
- IS IP66
- IS AVAILABLE IN A VARIETY OF POWER, LENS TYPES & ARTICULATIONS FOR ANY ENVIRONMENT OR APPLICATION
- IS AVAILABLE WITH EMERGENCY BATTERY PACKS
- START UP AND SHUT DOWN IMMEDIATELY. PERFECT FOR PHOTO SENSOR OR MOTION SENSOR CONTROLS
- HAS LOW INRUSH & OPERATING CURRENTS
- CONTAINS NO HARMFUL OR TOXIC SUBSTANCES (NO HG) & ARE RECYCLABLE
- DOES NOT EMIT UV RADIATION & DOES NOT REQUIRE UV BLOCKING FILTERS
- HAS ROBUST CONSTRUCTION, PERFECT FOR TOUGH & CHALLENGING CONDITIONS
- ELIMINATES MERCURY RECYCLING COSTS



Polaris™ High Bay

HIGH INTENSITY LED LIGHTS



PRODUCT INFORMATION



WEIGHT RANGE	1.4kg to 2.4kg
LIGHT SOURCE	Nichia High Power LED
HOUSING	Ceramic Diode Seat with Polycarbonate Pixel Rails
BRACKET MATERIAL	Carbon Steel
MOUNTING OPTIONS	Suspended (Standard 1 Hook) or Ceiling Mount
FRAME COLOUR	Black, White, Silver
CONTROL	0-10V, DALI
MECHANICAL IMPACT RESISTANCE	IK10
IP RATING	IP65
OPERATING TEMP	-20°C to 50°C

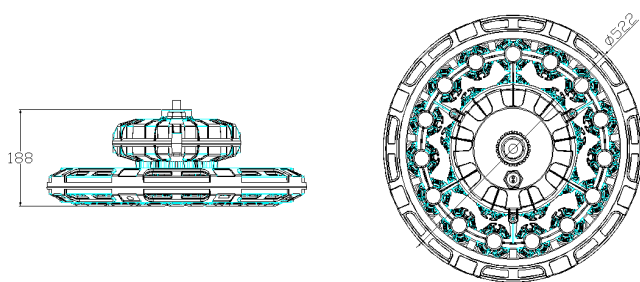
TECHNICAL SPECIFICATIONS

INPUT VOLTAGE	90-305VAC, 50/60Hz
DIMMABLE OPTIONAL	Yes, 0-10V or DALI
LIFESPAN	50,000 hours to L70
POWER	100W, 200W
BEAM ANGLE	60°, 90°, 120°
LUMINOUS EFFICACY	120 lm/W
CCT	5,000K Cool White* 4,000K Natural White 3,000K Warm White*

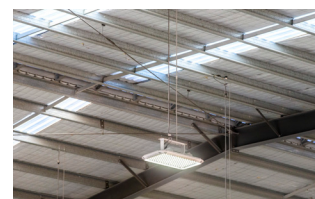
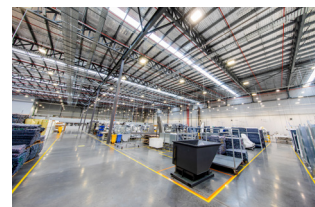
* FIGURES REPRESENTED IN LUMEN OUTPUT TABLE BELOW AT 5,000K

* MOQ'S APPLY FOR 3,000K PLEASE CONTACT EMPYREAN DIRECTLY

SCHEMATIC OF HIGH BAY



TYPICAL APPLICATIONS



PRODUCT CODE	POWER	OUTPUT* (LUMENS)	DIAMETER (MM)	INNER DIAMETER	DEPTH (MM)
Polaris-C-100W	100W	10,000	522	-	188
Polaris-C-200W	200W	20,000	600	-	188

Polaris™ Pole Mount

HIGH INTENSITY POLE MOUNT LED



PRODUCT INFORMATION

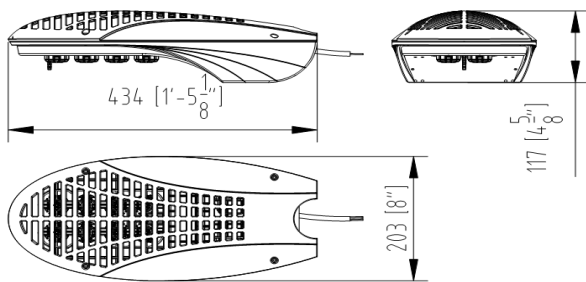
WEIGHT RANGE	1.2kg
LIGHT SOURCE	Nichia High Power LED
LENS	Ceramic Pixel
HOUSING	Plastic
FRAME COLOUR	Silver, White, Bronze
MECHANICAL IMPACT RESISTANCE	IK08
IP RATING	IP66
OPERATING TEMP	-40°C to 55°C

TECHNICAL SPECIFICATIONS

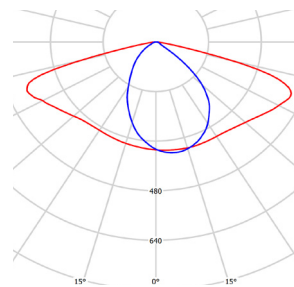
INPUT VOLTAGE	100-240VAC, 50/60Hz or 24VDC
DIMMABLE	Non Dimmable
LIFESPAN	50,000 hours
POWER	20W, 30W, 35W, 40W
BEAM ANGLE	145° - 65°
LUMINOUS EFFICACY	130lm/W
CCT	5,000K Cool White* 4,000K Natural White 3,000K Warm White

* FIGURES REPRESENTED IN LUMEN OUTPUT TABLE BELOW AT 5,000K

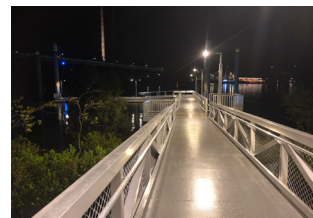
SCHEMATIC OF POLE MOUNT



BEAM ANGLE 120°



TYPICAL APPLICATIONS



PRODUCT CODE	POWER	OUTPUT* (LUMENS)	LENGTH (MM)	WIDTH (MM)	DEPTH (MM)
PolarisPM-20W	20W	2,600	434	203	117
PolarisPM-30W	30W	3,900	434	203	117
PolarisPM-35W	35W	4,550	434	203	117
PolarisPM-40W	40W	5,200	434	203	117

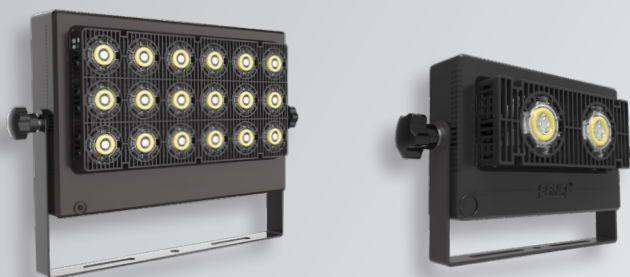
Polaris™ Flood

HIGH INTENSITY LED LIGHTS



PRODUCT INFORMATION

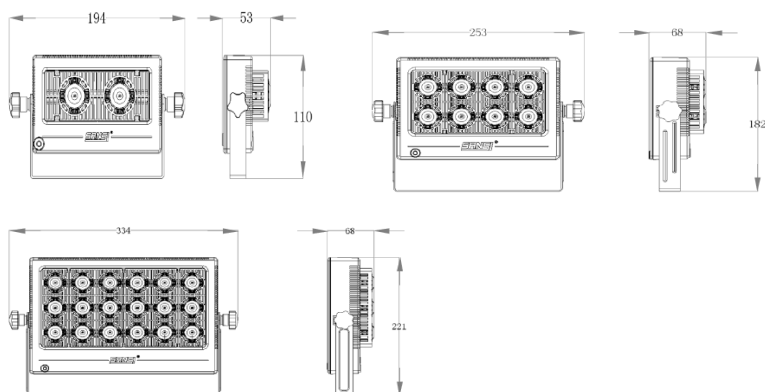
WEIGHT RANGE	0.74kg to 3.78kg
LIGHT SOURCE	Nichia High Power LED
LENS	Ceramic
HOUSING	Plastic
BRACKET MATERIAL	Metal Plate
MOUNTING OPTIONS	Trunnion Bracket
FRAME COLOUR	Black
CONTROL	Remote Control (RGB Option Only)
IP RATING	IP66
OPERATING TEMP	-30°C to 55°C



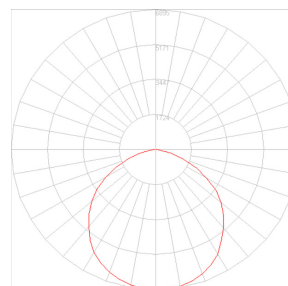
TECHNICAL SPECIFICATIONS

INPUT VOLTAGE	100-240VAC, 50/60Hz
DIMMABLE OPTIONAL	Non Dim
LIFESPAN	30,000 hours
POWER	10W, 30W, 50W, 70W, 100W
BEAM ANGLE	120°
LUMINOUS EFFICACY	100 lm/W
CCT	~5,500K Cool White*
RGB (16 Colour Options)	RGB

SCHEMATICS OF FLOOD 10W, 50W & 100W



BEAM ANGLE 120°



TYPICAL APPLICATIONS



PRODUCT CODE	POWER	OUTPUT* (LUMENS)	LENGTH (MM)	WIDTH (MM)	DEPTH (MM)
PolarisFL-10W	10W	1,100	194	110	53
PolarisFL-30W	30W	3,000	176	120	38
PolarisFL-50W	50W	5,000	253	182	68
PolarisFL-70W	70W	7,000	200	193	38
PolarisFL-100W	100W	10,000	334	221	68



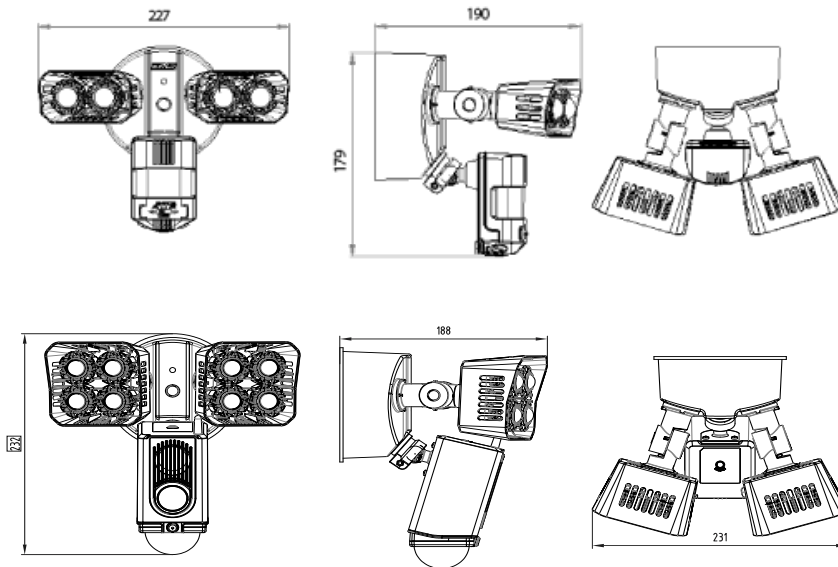
PRODUCT INFORMATION

WEIGHT RANGE	0.87kg - 1.1kg
LIGHT SOURCE	Nichia High Power LED
LENS	Ceramic Pixel
HOUSING	Plastic with Metal Plate Bracket
FRAME COLOUR	Black, White
IP RATING	IP66
OPERATING TEMP	-40°C to 55°C

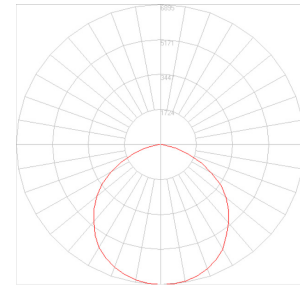
TECHNICAL SPECIFICATIONS

INPUT VOLTAGE	100-240VAC, 50/60Hz or 24VDC
DIMMABLE	Non Dimmable
LIFESPAN	50,000 hours
POWER	18W & 36W
BEAM ANGLE	120°
LUMINOUS EFFICACY	110lm/W
CRI	80
CCT	5,000K Cool White
WORKING MODES	<p>Test Mode: Proof sensor is working</p> <p>Auto Mode: Light turns on for 1-10min when motion sensor detects movement.</p> <p>On Time Mode: Light works during daytime and night time via the on/off switch</p> <p>D2D (Dusk to Dawn): Lights will turn on automatically at night and off at dawn</p>

SCHEMATIC OF SECURITY LIGHTS



BEAM ANGLE 120°



TYPICAL APPLICATIONS



PRODUCT CODE	POWER	OUTPUT* (LUMENS)	LENGTH (MM)	WIDTH (MM)	DEPTH (MM)
PolarisS-18W	18W	2,600	179	227	190
PolarisS-36W	36W	3,900	232	232	188