

# Andromeda<sup>TM</sup>

MINING

## STOCKPILE



### STOCKPILE APPLICATIONS

**FLOODLIGHTING FOR STOCKPILES** and general site areas is key for safety and operational efficiency.

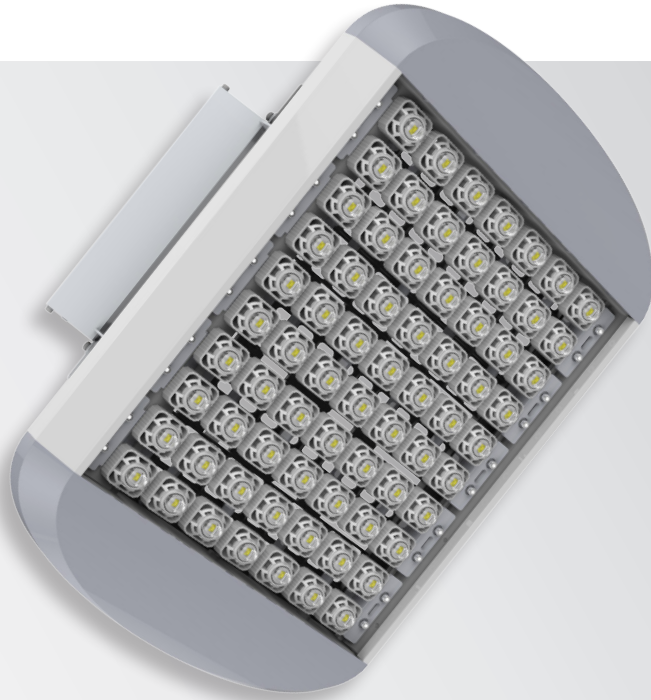
Our Andromeda series exceeds all of the challenges posed by any site, regardless of geographic location. At the same time they deliver high quality and dependable illumination to critical areas.

### BENEFITS OF OUR ANDROMEDA RANGE

- USES 50%-75% LESS ELECTRICITY THAN HIGH INTENSITY DISCHARGE LUMINAIRES
- LIFESPAN OF 50,000 HRS+ (TO L70)
- IS IP66
- IS AVAILABLE IN A VARIETY OF POWER, LENS TYPES & ARTICULATIONS FOR ANY ENVIRONMENT OR APPLICATION
- AVAILABLE WITH EMERGENCY BATTERY PACKS
- START UP AND SHUT DOWN IMMEDIATELY
- PERFECT FOR PHOTO OR MOTION SENSOR CONTROLS
- HAS LOW INRUSH & OPERATING CURRENTS
- CONTAINS NO HARMFUL, TOXIC SUBSTANCES (NO HG) & ARE RECYCLABLE
- DOES NOT EMIT UV RADIATION & DOES NOT REQUIRE UV BLOCKING FILTERS
- HAS ROBUST CONSTRUCTION, PERFECT FOR TOUGH & CHALLENGING CONDITIONS
- ELIMINATES MERCURY RECYCLING COSTS

# Andromeda™ C Flood

CERAMIC LED FLOODLIGHT



## PRODUCT INFORMATION

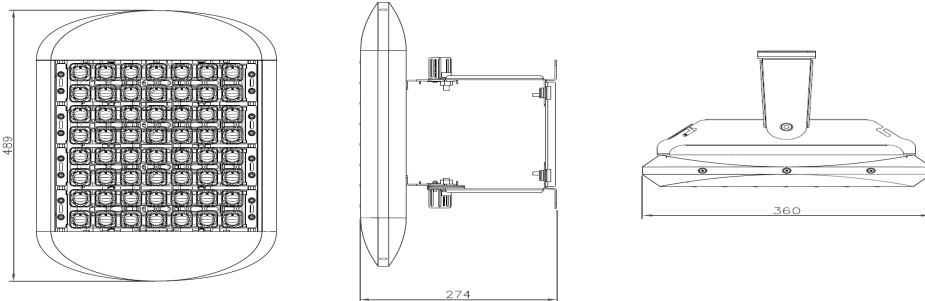
<b>LIGHT SOURCE</b>	Nichia High Power LED
<b>HOUSING</b>	6063 Aluminium (Marine Grade) Ceramic Diode Seat with Polycarbonate Pixel Rails ST12
<b>BRACKET MATERIAL</b>	Wall Mount, Surface Mount, Suspended (Hook)
<b>BRACKET TYPE</b>	Wall Mount, Surface Mount, Suspended (Hook)
<b>FRAME COLOUR</b>	Silver, White, Black
<b>MECHANICAL IMPACT RESISTANCE</b>	IK08 (Bracket & Frame Only)
<b>IP RATING</b>	IP66
<b>OPERATING TEMP</b>	-40°C to 55°C

## TECHNICAL SPECIFICATIONS

<b>INPUT VOLTAGE</b>	90-305VAC, 50/60Hz (Standard)
<b>DIMMABLE</b>	Non-dimmable standard
<b>LIFESPAN</b>	50,000 hours to L70
<b>POWER</b>	40W - 410W
<b>POWER FACTOR</b>	0.95
<b>BEAM ANGLE</b>	Distribution Ranges - Refer to lens options page
<b>LUMINOUS EFFICACY</b>	IESNA Type I,II,III, IV & V distribution
<b>CCT</b>	120 lm/W 5,000-5,500K Cool White >70 (CRI) Standard

*Additional Options - Frame options 304SS & 316SS. Dimmable with 0-10V, PWM, DALI, PE Cell or Nema 7. Varying input voltage including 24V DC to 480V. CCT Options - ~4000K Natural White & ~3000K Warm White.*

## SCHEMATIC OF ANDROMEDA C FLOOD 140W & 165W



PRODUCT CODE	POWER	OUTPUT (LUMENS)	INPUT CURRENT (mA)	LENGTH (MM)	WIDTH (MM)	DEPTH (MM)	WEIGHT (KG)
Andromeda-C-Flood-40	40W	4,800	800mA	261	360	274	4.2kg
Andromeda-C-Flood-45	45W	5,400	800mA	261	360	274	4.5kg
Andromeda-C-Flood-70	70W	8,400	800mA	337	360	274	5.1kg
Andromeda-C-Flood-85	85W	10,200	800mA	337	360	274	5.5kg
Andromeda-C-Flood-110	110W	13,200	800mA	413	360	274	5.9kg
Andromeda-C-Flood-125	125W	15,000	800mA	413	360	274	6.3kg
Andromeda-C-Flood-140	140W	16,800	800mA	489	360	274	6.7kg
Andromeda-C-Flood-165	165W	19,800	800mA	489	360	274	7.2kg
Andromeda-C-Flood-180	180W	21,600	800mA	565	360	274	8.3kg
Andromeda-C-Flood-210	210W	25,200	800mA	565	360	274	8.6kg
Andromeda-C-Flood-220	220W	26,400	800mA	641	360	274	9.2kg
Andromeda-C-Flood-250	250W	30,000	800mA	641	360	274	10.4kg
Andromeda-C-Flood-280	280W	33,600	800mA	717	360	274	12.0kg
Andromeda-C-Flood-320	320W	38,400	800mA	869	360	274	14.8kg
Andromeda-C-Flood-360	360W	43,200	800mA	945	360	274	15.0kg
Andromeda-C-Flood-370	370W	44,400	800mA	869	360	274	15.3kg
Andromeda-C-Flood-410	410W	49,200	800mA	945	360	274	16.1kg

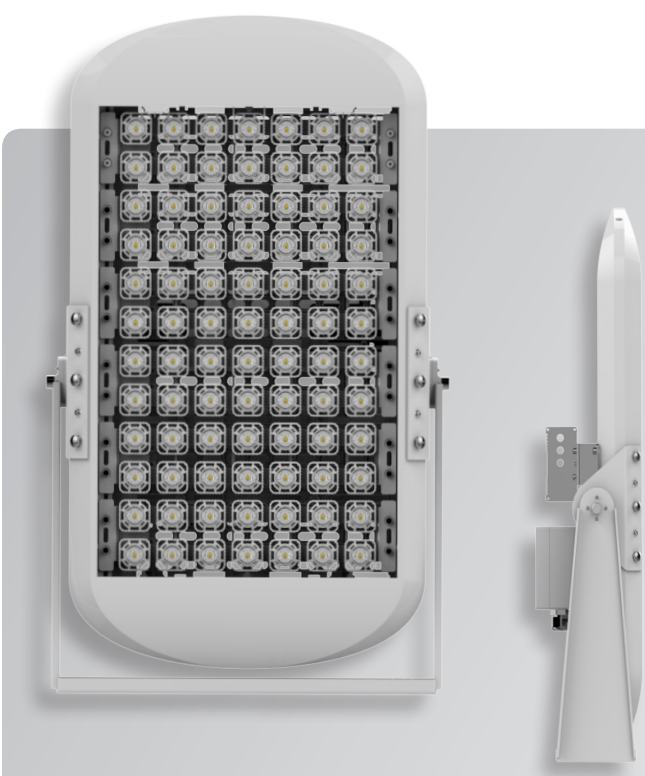
## TYPICAL APPLICATIONS



# Andromeda™ C High Mast

CERAMIC LED HIGH MAST LUMINAIRE

NICHIA HIGH POWER 90-305VAC SHOCK RESISTANT IP66 RATING 70 CRI L70 50,000 HRS 0.95 POWER FACTOR



## PRODUCT INFORMATION

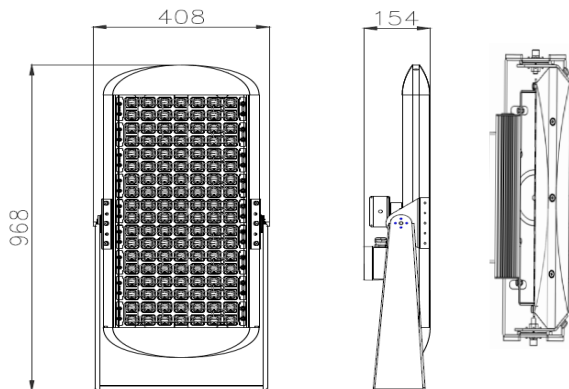
<b>LIGHT SOURCE</b>	Nichia High Power LED
<b>HOUSING</b>	6063 Aluminium (Marine Grade) Ceramic Diode Seat with Polycarbonate Pixel Rails
<b>BRACKET MATERIAL</b>	ST12
<b>BRACKET TYPE</b>	Trunnion Arm
<b>FRAME COLOUR</b>	Silver, White, Black
<b>MECHANICAL IMPACT RESISTANCE</b>	IK08 (Bracket & Frame Only)
<b>IP RATING</b>	IP66
<b>OPERATING TEMP</b>	-40°C to 55°C

## TECHNICAL SPECIFICATIONS

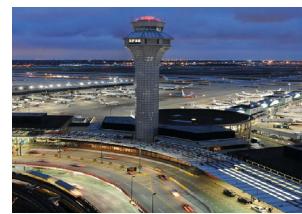
<b>INPUT VOLTAGE</b>	90-305VAC, 50/60Hz (Standard), Varying input available from 24V DC to 480V.
<b>DIMMABLE</b>	Non-dimmable standard
<b>LIFESPAN</b>	50,000 hours to L70
<b>POWER</b>	140W - 410W
<b>POWER FACTOR</b>	0.95
<b>BEAM ANGLE</b>	Distribution Ranges - Refer to lens options page
<b>LUMINOUS EFFICACY</b>	IESNA Type I,II,III, IV & V distribution
<b>CCT</b>	120 lm/W 5,000-5,500K Cool White >70 (CRI) Standard

*Additional Options - Frame options 304SS & 316SS. Dimmable with 0-10V, PWM, DALI, PE Cell or Nema 7. CCT Options - ~4000K Natural White & ~3000K Warm White.*

## SCHEMATIC OF ANDROMEDA C HMAST 360W & 410W



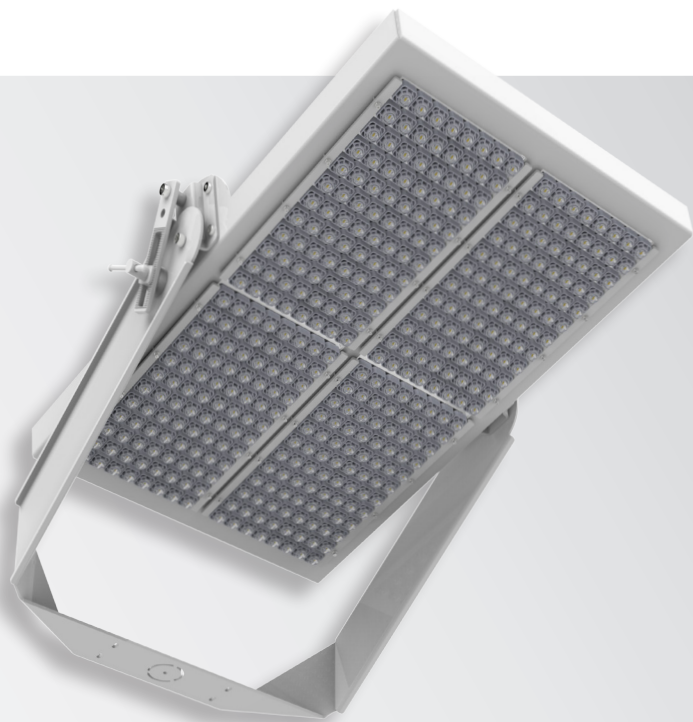
## TYPICAL APPLICATIONS



PRODUCT CODE	POWER	OUTPUT (LUMENS)	INPUT CURRENT (mA)	LENGTH (MM)	WIDTH (MM)	DEPTH (MM)	WEIGHT (KG)
Andromeda-C-HMast-140	140W	16,800	800mA	516	408	154	10.2kg
Andromeda-C-HMast-160	160W	19,200	800mA	516	408	154	10.9kg
Andromeda-C-HMast-180	180W	21,600	800mA	589	408	154	11.4kg
Andromeda-C-HMast-210	210W	25,200	800mA	589	408	154	11.7kg
Andromeda-C-HMast-220	220W	26,400	800mA	665	408	154	12.5kg
Andromeda-C-HMast-250	250W	30,000	800mA	743	408	154	13.0kg
Andromeda-C-HMast-280	280W	33,600	800mA	819	408	154	14.9kg
Andromeda-C-HMast-320	320W	38,400	800mA	892	408	154	16.5kg
Andromeda-C-HMast-360	360W	43,200	800mA	968	408	154	17.2kg
Andromeda-C-HMast-370	370W	44,400	800mA	892	408	154	18.0kg
Andromeda-C-HMast-410	410W	49,200	800mA	968	408	154	18.5kg

# Andromeda™ C High Mast

CERAMIC LED HIGH MAST LUMINAIRE



## PRODUCT INFORMATION

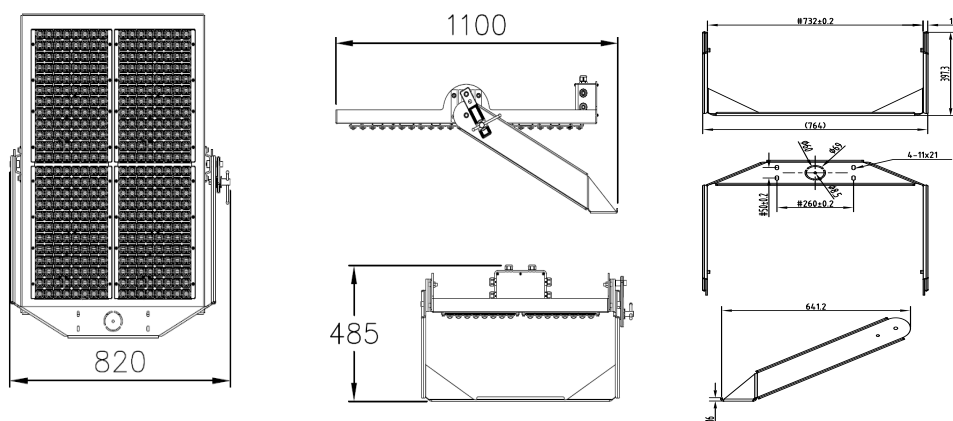
<b>LIGHT SOURCE</b>	Nichia High Power LED
<b>HOUSING</b>	6063 Aluminium (Marine Grade) Ceramic Diode Seat with Polycarbonate Pixel Rails ST12
<b>BRACKET MATERIAL</b>	Trunnion Arm
<b>BRACKET TYPE</b>	Silver, White, Black
<b>FRAME COLOUR</b>	IK08 (Bracket & Frame Only)
<b>MECHANICAL IMPACT RESISTANCE</b>	4 x Drivers per Light. Remote mounted at base of pole internally. Optional external waterproof enclosure for exterior pole mounting.
<b>DRIVER MOUNTING</b>	IP66
<b>IP RATING</b>	-40°C to 55°C
<b>OPERATING TEMP</b>	

## TECHNICAL SPECIFICATIONS

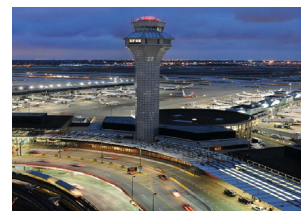
<b>INPUT VOLTAGE</b>	90-305VAC, 50/60Hz (Standard), Varying input available from 24V DC to 480V.
<b>DIMMABLE</b>	Non-dimmable standard
<b>LIFESPAN</b>	50,000 hours L70 B10
<b>POWER</b>	1000W
<b>POWER FACTOR</b>	0.97
<b>BEAM ANGLE</b>	Distribution Ranges - Refer to lens options page IESNA Type I,II,III, IV & V distribution
<b>LUMINOUS EFFICACY</b>	120 lm/W
<b>CCT</b>	5,000-5,500K Cool White >70 (CRI) Standard

Additional Options - Frame options 304SS & 316SS. Dimmable with 0-10V, PWM, DALI, PE Cell or Nema 7.  
CCT Options - ~4000K Natural White & ~3000K Warm White.

## SCHEMATIC OF ANDROMEDA C HMAST 1000W + BRACKET



## TYPICAL APPLICATIONS



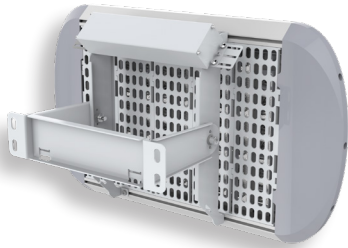
PRODUCT CODE	POWER	OUTPUT (LUMENS)	INPUT CURRENT (mA)	LENGTH (MM)	WIDTH (MM)	DEPTH (MM)	WEIGHT (KG)
Andromeda-C-HMast-1000	1000W	120,000	800mA	1100	820	485	56kg

# Andromeda™ C Mounting Options

CERAMIC LUMINAIRES

## Standard (Wall Mount)

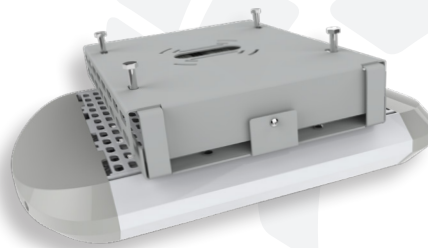
Standard adjustable wall/ceiling mount bracket on Flood. Bracket material options - ST12, 304SS, 316SS.



## FLOOD

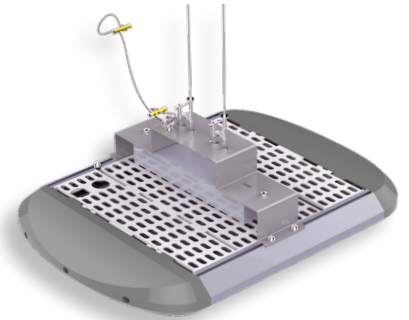
## Canopy (Surface Mount)

Flat surface bracket for mounting directly to ceiling, stud or wall. Bracket material options - ST12, 304SS, 316SS.



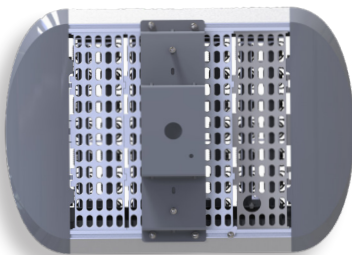
## Suspension (Hooks)

Dual ST12 hooks attached to the surface bracket for suspension mounting. Bracket material options - ST12, 304SS, 316SS.



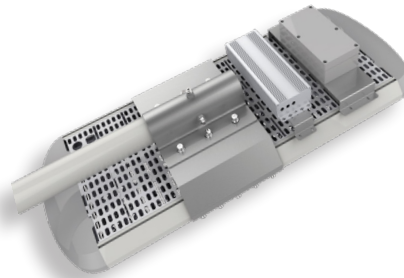
## Rod Mount

Mounting bracket suitable for rod mounting with a threaded 3/4 inch pipe. Bracket material options - ST12, 304SS, 316SS.



## Slip Fit

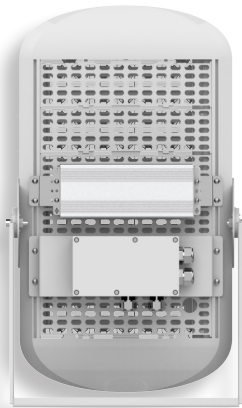
Pole fitted sleeve for Andromeda Flood units. Non adjustable. 60mmOD Pole/Arm Spigot not included. Bracket material options - ST12, 304SS, 316SS.



## HIGH MAST

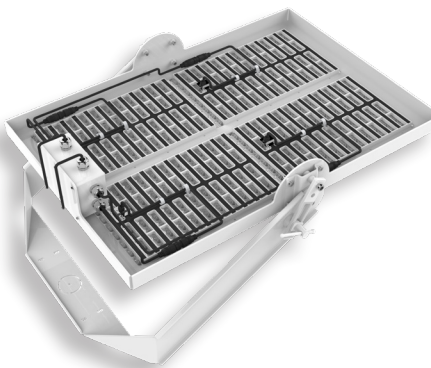
### Trunnion

Heavy duty adjustable trunnion mount for High Mast luminaire. Suitable for cross beams and wall mounting. Bracket material options - ST12, 304SS & 316SS.



### Forward Bracket

Bracket for 1000W High Mast luminaire suitable for forward throw mounting on cross beams. Bracket material options - ST12, 304SS & 316SS.



## POLE MOUNT

### Standard (Pole Mount)

Standard adjustable pole mount to pole diameter 60mm. Adapters available for other diameters.



SHIELD OR BLIND OPTIONS ARE AVAILABLE FOR ALL LUMINAIRES WITH ANY MOUNTING BRACKET. CONTACT EMPYREAN LIGHTING TO DISCUSS REQUIREMENTS