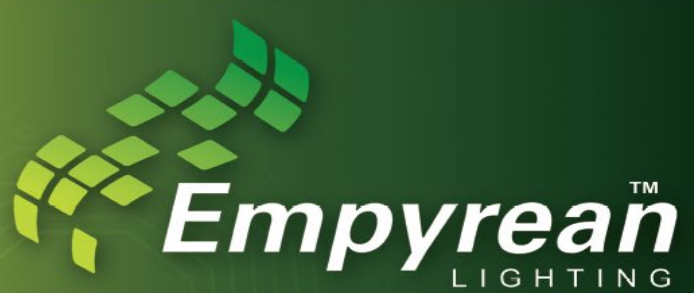
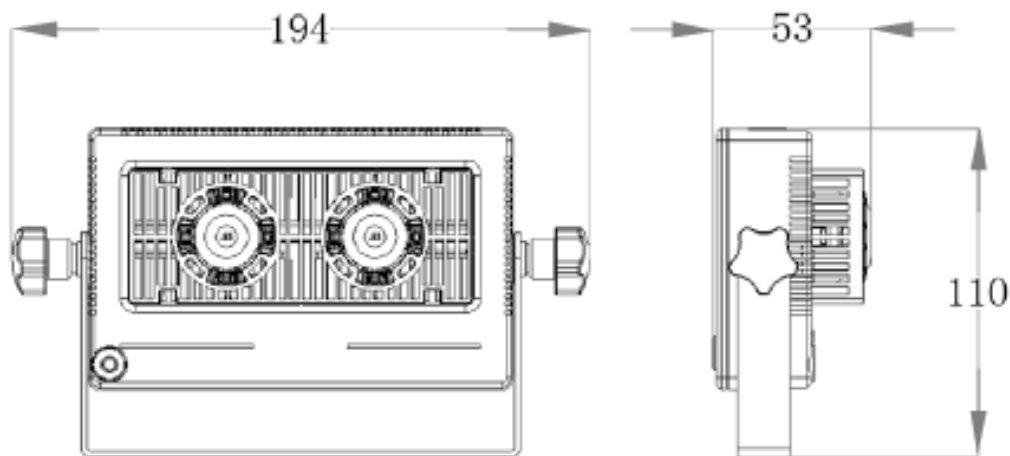


# SCHEMATICS



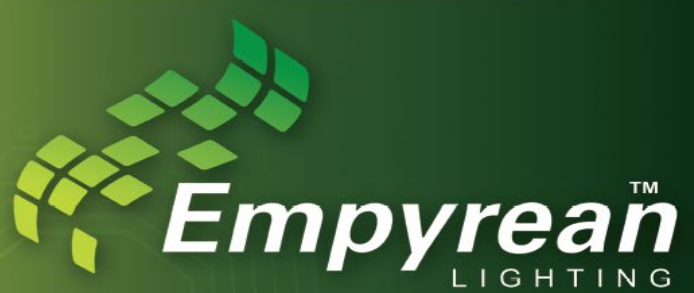
# Polaris<sup>TM</sup>

## Polaris-Flood-10W



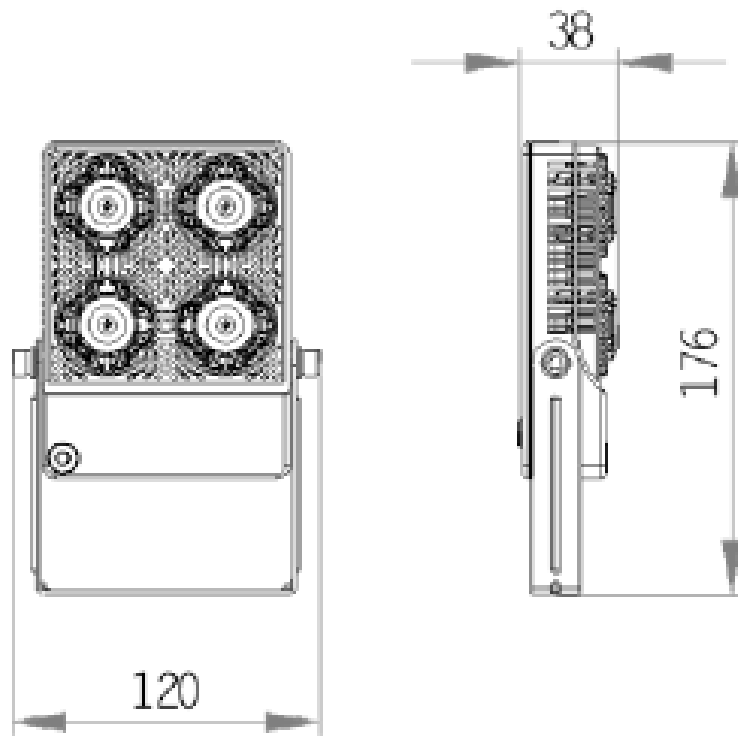
<b>Product Code</b>	<b>Polaris-Flood-10W</b>
<b>Dimensions</b>	194mmL x 110mmW x 53mmD
<b>Weight</b>	0.74KG

# SCHEMATICS



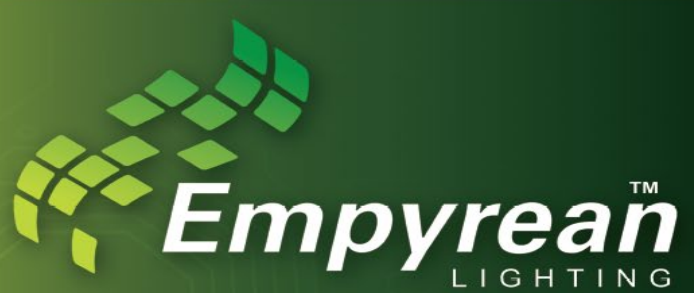
# Polaris<sup>TM</sup>

## Polaris-Flood-30W



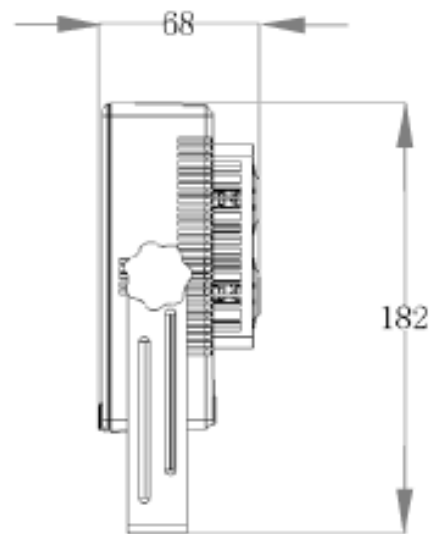
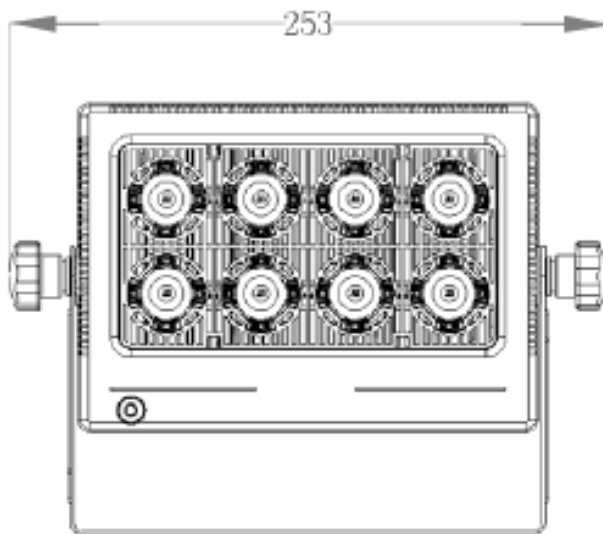
<b>Product Code</b>	<b>Polaris-Flood-30W</b>
<b>Dimensions</b>	176mmL x 120mmW x 38mmD
<b>Weight</b>	0.77KG

# SCHEMATICS



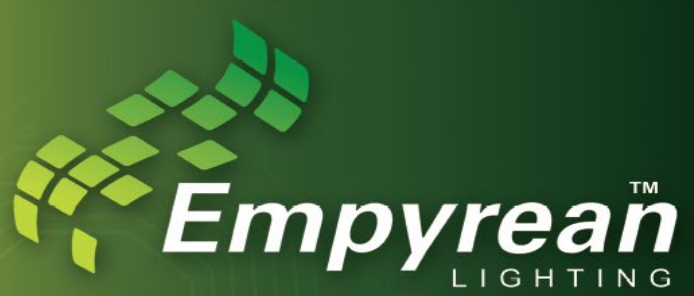
# Polaris<sup>TM</sup>

## Polaris-Flood-50W



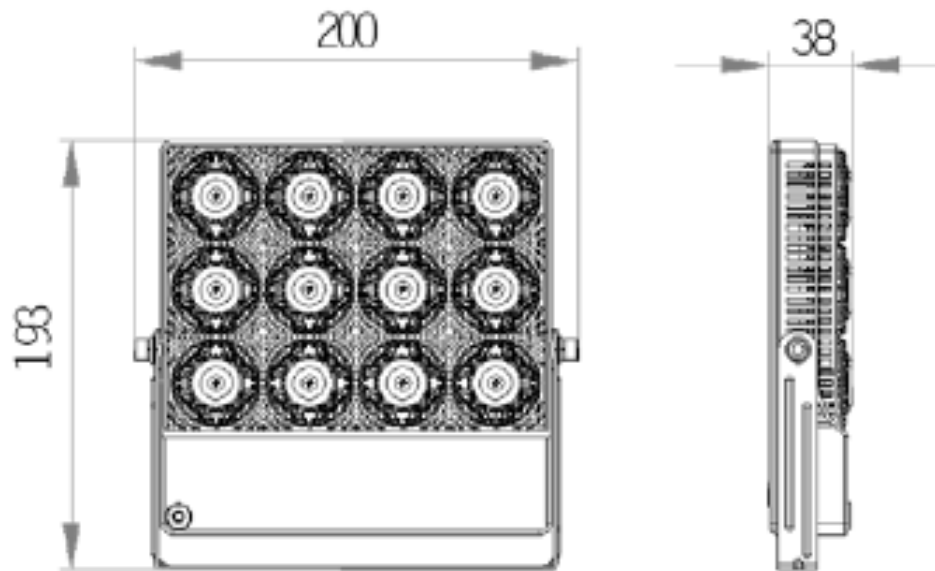
<b>Product Code</b>	<b>Polaris-Flood-50W</b>
<b>Dimensions</b>	253mmL x 182mmW x 68mmD
<b>Weight</b>	1.42KG

# SCHEMATICS



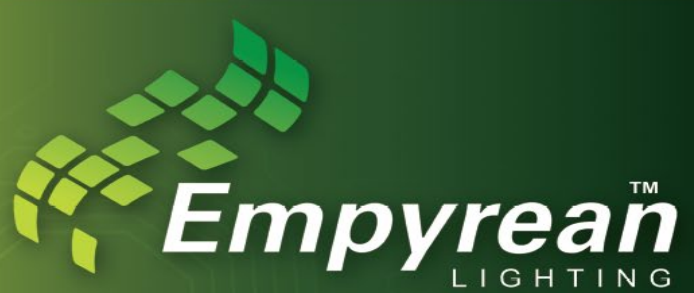
**Polaris**<sup>TM</sup>

Polaris-Flood-70W



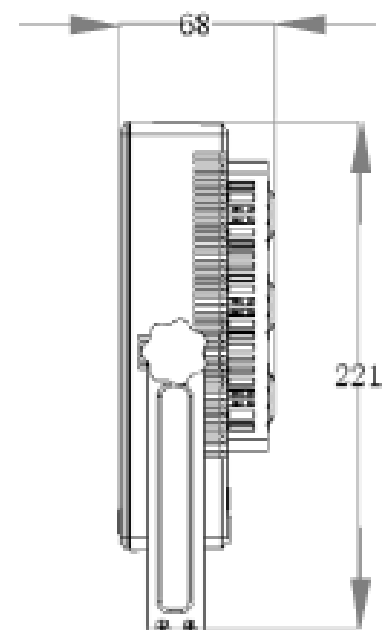
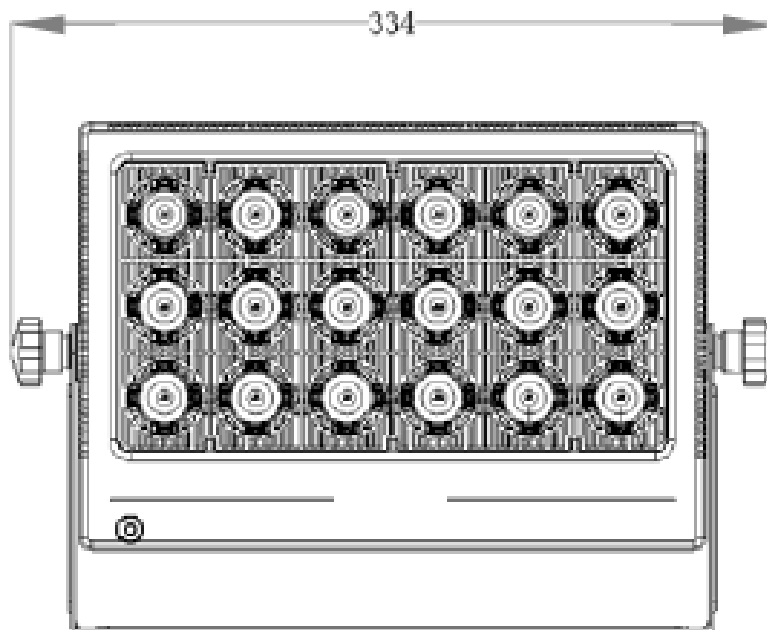
<b>Product Code</b>	<b>Polaris-Flood-70W</b>
<b>Dimensions</b>	200mmL x 193mmW x 38mmD
<b>Weight</b>	1.44KG

# SCHEMATICS



# Polaris<sup>TM</sup>

## Polaris-Flood-100W



<b>Product Code</b>	<b>Polaris-Flood-100W</b>
<b>Dimensions</b>	334mmL x 221mmW x 68mmD
<b>Weight</b>	3.78KG